

# D SERIES FILTER CART



## Simple & Powerful!

The Y2K HT-D Series Filter Cart is our signature filter cart and is an excellent choice for “off-line” filtration in a wide variety of settings. Extremely mobile and lightweight, this filter cart has all the power needed for filtering oil viscosities up to 600cSt (ISO VG 680). This filter cart is completely customizable to fit all of your needs.

## Typical Applications

- Filtering contaminated systems
- Flushing new or repaired systems
- Pre-filtering new oil
- Transferring oils
- Topping off reservoirs
- Collecting oil samples for analysis
- Dispensing new oil

**Y2K**  
**FLUID POWER**

**FLUID POWER**



3620 North Lewis Ave., Sioux Falls, SD 57104 | 888.925.8882 | [y2kfluidpower.com](http://y2kfluidpower.com)

A DIVISION OF DAKOTA FLUID POWER, INC.

# D SERIES FILTER CART

Don't see the options you need?  
Contact Y2K at 1(888) 925-8882  
or sales@y2kfluidpower.com

## Performance:

For filtering mineral and synthetic based oils (hydraulic oils, gear oils and turbine oils) with a maximum operating viscosity range of ISO VG 680 (3000ssu/648cSt) at 100°F within ambient temperature ranges of -15°F to 150°F.

## Standard Features:

### Materials:

- Frame: Carbon steel with drip pan
- Paint: Industrial powder coat; various colors available
- Motor: 1HP, 115vac, 60Hz or Pneumatic
- Filter Heads: Medium pressure, cast aluminum heads
- Pump: Heavy duty, cast steel gear pump. Available in 1, 2, 5 and 10 GPM
- Connections: Various quick connect options available
- Hoses: Clear PVC, steel reinforced hose or hydraulic hose
- Power Switch: Sealed on/off Power Switch

### Filter Indicators:

- Slide bar indicator triggers at 50psid when elements need to be changed.

### Pump Relief:

- Opens at 150psi

### Weight:

- Approx. 125lbs (will vary depending on options)

### Dimensions:

- Approx. 23"L x 22"W x 52"H

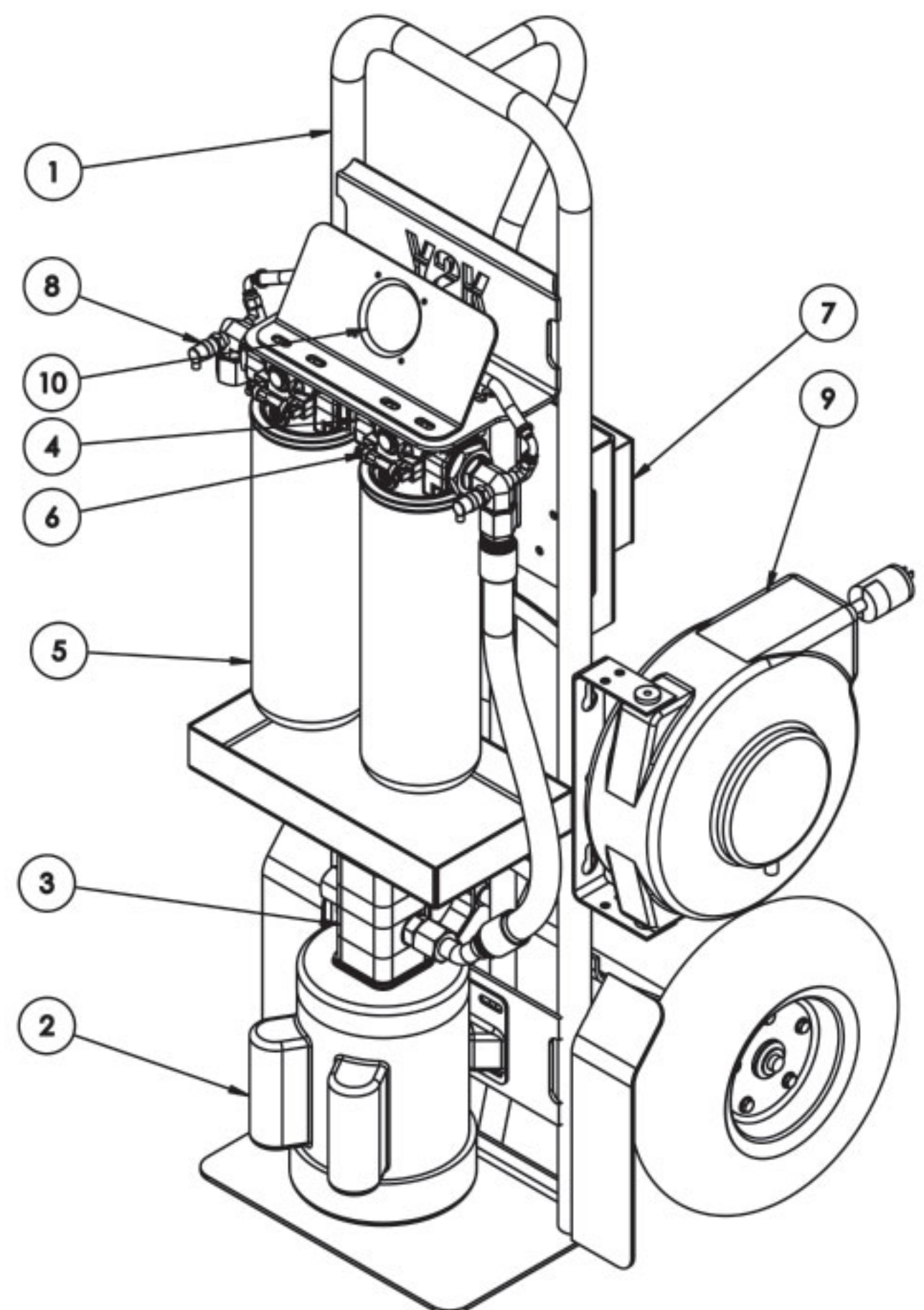
## Replacement Elements:

| Part Number | BETA Rating   | Desired Cleanliness Level (ISO Code) |
|-------------|---------------|--------------------------------------|
| P1066       | β4(c)=2000    | 14/12/9 - 13/11/8                    |
| P1065       | β7(c)=2000    | 18/16/13 - 15/13/10                  |
| P1063       | β10(c)=1000   | 19/17/14 - 18/16/13                  |
| P1064       | β25(c)=2000   | 20/18/15 - 19/17/14                  |
| P1048WR     | Water Removal |                                      |

All D Series elements measure 5" x 14".

## Components:

| Item Number | Description        | Qty. |
|-------------|--------------------|------|
| 1           | Frame              | 1    |
| 2           | Motor              | 1    |
| 3           | Pump               | 1    |
| 4           | Filter Head        | 2    |
| 5           | Filter Element     | 2    |
| 6           | Filter Indicator   | 2    |
| 7           | Switch On/Off      | 1    |
| 8           | Sample Port        | 2    |
| 9           | Cord Reel          | 1    |
| 10          | Differential Gauge | 1    |



**Y2K**  
**FLUID POWER**

**FLUID POWER**



3620 North Lewis Ave., Sioux Falls, SD 57104 | 888.925.8882 | y2kfluidpower.com

A DIVISION OF DAKOTA FLUID POWER, INC.