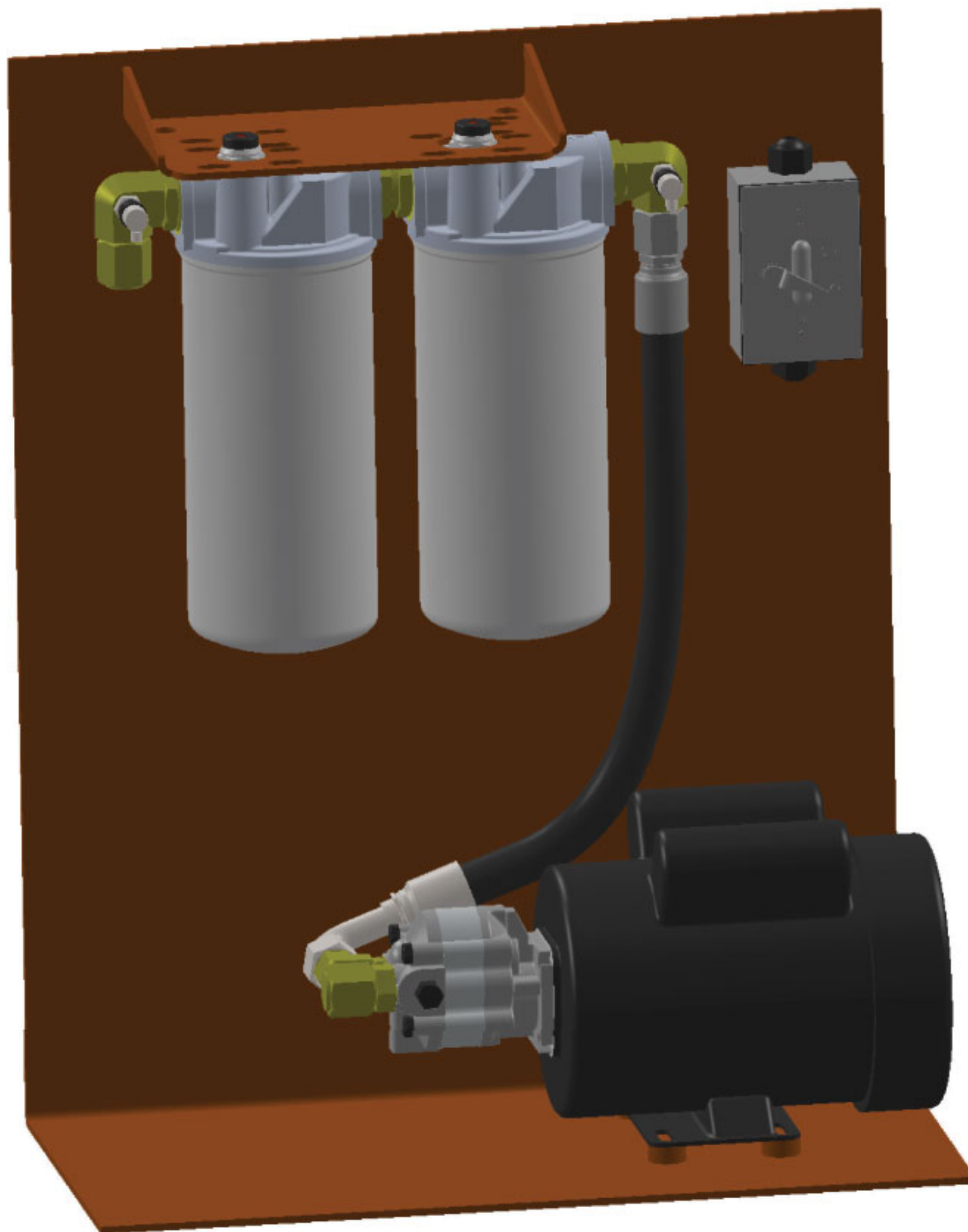


# M SERIES PANEL UNIT



## Compact and Portable!

When you need to install a permanent, continuous duty solution for your offline filtration, the PU-M Panel Unit is the perfect solution. Available in a variety of sizes, it will suit any space requirement you may have. These filtration systems have all the power needed for filtering oil viscosities up to 600cSt (ISO VG 680) at 100F within ambient temperature ranges of -15F to 150F. All Y2K products are 100% customizable upon request.

## Typical Applications

- Filtering contaminated systems
- Collecting oil samples for analysis
- Dispensing new oil

**Y2K**  
**FLUID POWER**

**FLUID POWER**



3620 North Lewis Ave., Sioux Falls, SD 57104 | 888.925.8882 | [y2kfluidpower.com](http://y2kfluidpower.com)

A DIVISION OF DAKOTA FLUID POWER, INC.

# M SERIES PANEL UNIT

Don't see the options you need?  
Contact Y2K at 1(888) 925-8882  
or sales@y2kfluidpower.com

## Performance:

For filtering mineral and synthetic based oils (hydraulic oils, gear oils and turbine oils) with a maximum operating viscosity range of ISO VG 680 (3000ssu/648cSt) at 100°F within ambient temperature ranges of -15°F to 150°F.

## Standard Features:

### Materials:

- Frame: Carbon steel with drip tray
- Paint: Multiple color options available
- Motor: 1HP, 115vac, 60Hz or Pneumatic
- Filter Heads: Low pressure, aluminum heads
- Pump: Aluminum gear pump. Available in 2, 5 and 10 GPM

### Filter Indicators:

- Pop up indicator triggers at 50psid when elements need to be changed.

### Pump Relief:

- Opens at 150psi

### Weight:

- Approx. 75-80lbs (will vary depending on options)

### Dimensions:

- Approx. 24"L x 12"W x 18"H

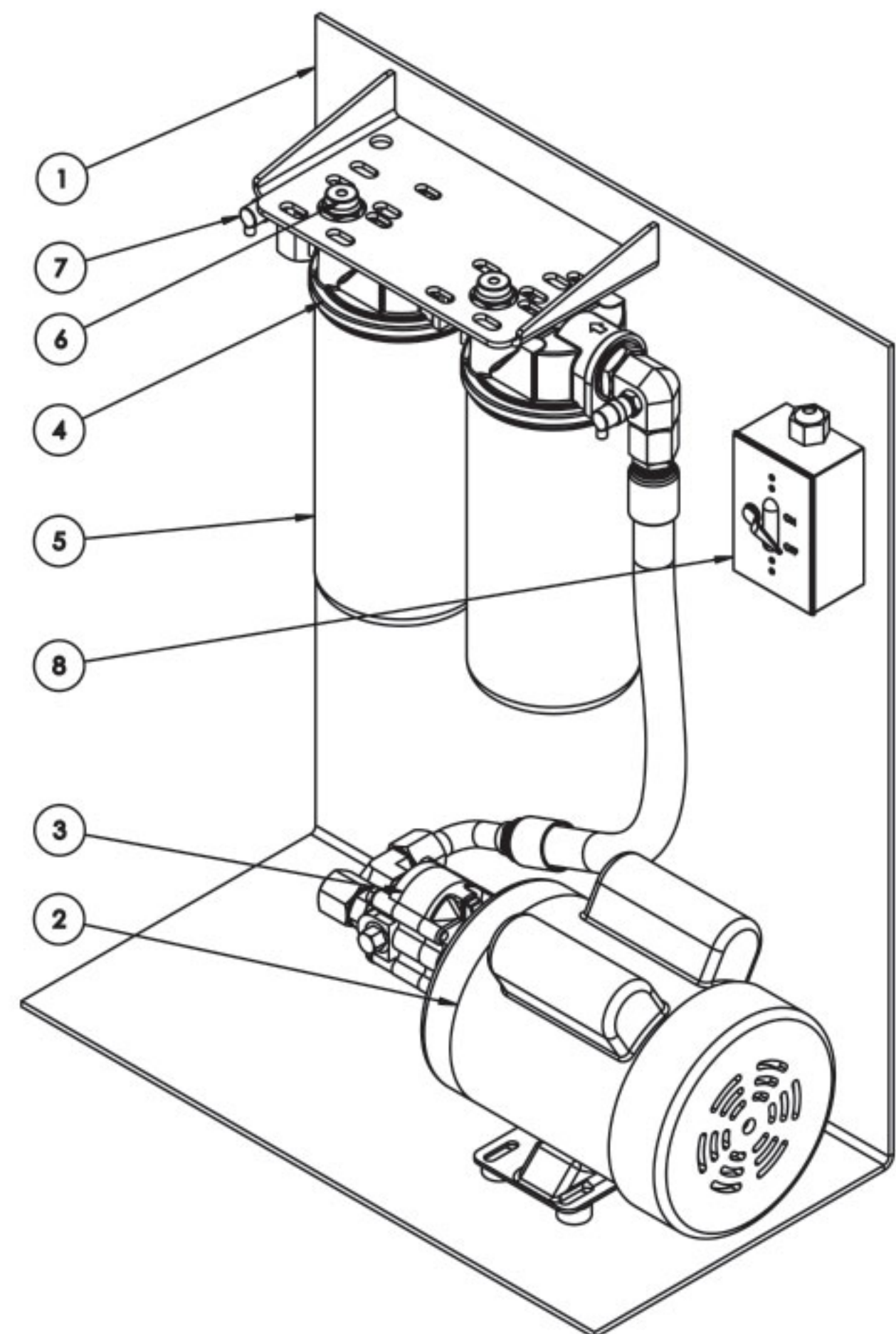
## Replacement Elements:

Part Number	BETA Rating	Desired Cleanliness Level (ISO Code)
P1068	$\beta_{3(c)}=1000$	14/12/9 - 13/11/8
P1069	$\beta_{6(c)}=1000$	17/15/12 - 14/12/9
P1070	$\beta_{10(c)}=1000$	18/16/13 - 17/15/12
P1071	$\beta_{25(c)}=1000$	21/19/16 - 20/18/15
P1072WR	Water Removal	

All M Series elements measure 5" x 10".

## Components:

Item Number	Description	Qty.
1	Large Panel	1
2	Motor	1
3	Pump	1
4	Filter Head	2
5	Filter Element	2
6	Filter Indicator	2
7	Sample Port	2
8	Switch On/Off	1



**Y2K**  
**FLUID POWER**

**FLUID POWER**



3620 North Lewis Ave., Sioux Falls, SD 57104 | 888.925.8882 | y2kfluidpower.com

A DIVISION OF DAKOTA FLUID POWER, INC.